

Features

- Universal Input 90~264V AC
- Approved to UKCA, CE, TUV, cULus, RoHS
- EN 60950-1 Safety Approved
- Meets Efficiency Level VI
- Single Output 12V DC
- OVP, OCP



Ideal Power's 5211012A-12-3A 110W AC/DC External Desktop Power Supply (PSU) Series are certified to UKCA, CE, TUV, cULus, RoHS & EN 60950-1 Standards and comply with (EU) 2019/1782, Level VI Efficiency Regulations. These are primarily used in ITE, Audio & Video Industries and customised solutions are available upon request.

Models

Model Number	Output Voltage	Output Current	Output Power	Efficiency
5211012A-12-3A	12V DC	6.6A	110W	82%

Input Data

	Min	Typical	Max	Units	Notes
Input Voltage	90	--	264	V AC	100-240VAC +/- 10%
Input Frequency	47	--	63	Hz	60Hz/50Hz Nominal
Input Current	--	--	2.5 1.25	A	at Rated AC Input with Full load
Inrush Current	--	--	50 100	A	at 110V AC At cold start, maximum load. at 220V AC At cold start, maximum load.
Leakage Current	--	--	0.25	mA	at 240V AC / 50Hz

Output Data

	Min	Typical	Max	Units	Notes
Output Current Range	0.0	--	7.33	A	
Output Voltage Range	14.25	--	15.75	V	
Ripple & Noise	2.0% max. of rated output voltage				
Over Current Protection	110~150% of rated output current. Will recover if fault condition is removed				
Over Voltage Protection	150% Max. of the rated output voltage, Will recover if fault condition is removed				

Environmental Data

	Min	Typical	Max	Units	Notes
Operating Temperature	0	--	+40	°C	
Storage Temperature	-20	--	+85	°C	
Operating Humidity	10	--	90	%	non condensing
Relative Humidity	5	--	90	%	non condensing

Other Information

	Notes
Dielectric Strength	Primary to Secondary: 4242V DC / 5mA Max / 60second(3 seconds for mass production)
MTBF	30,000 hrs at 25°C
Weight	510g
Dimensions	170x60x35mm
Output Cord	14AWG UL1571, 1.2M Black
Output Connector	2.1mm x 5.5m x 12.0mm

Safety Approvals

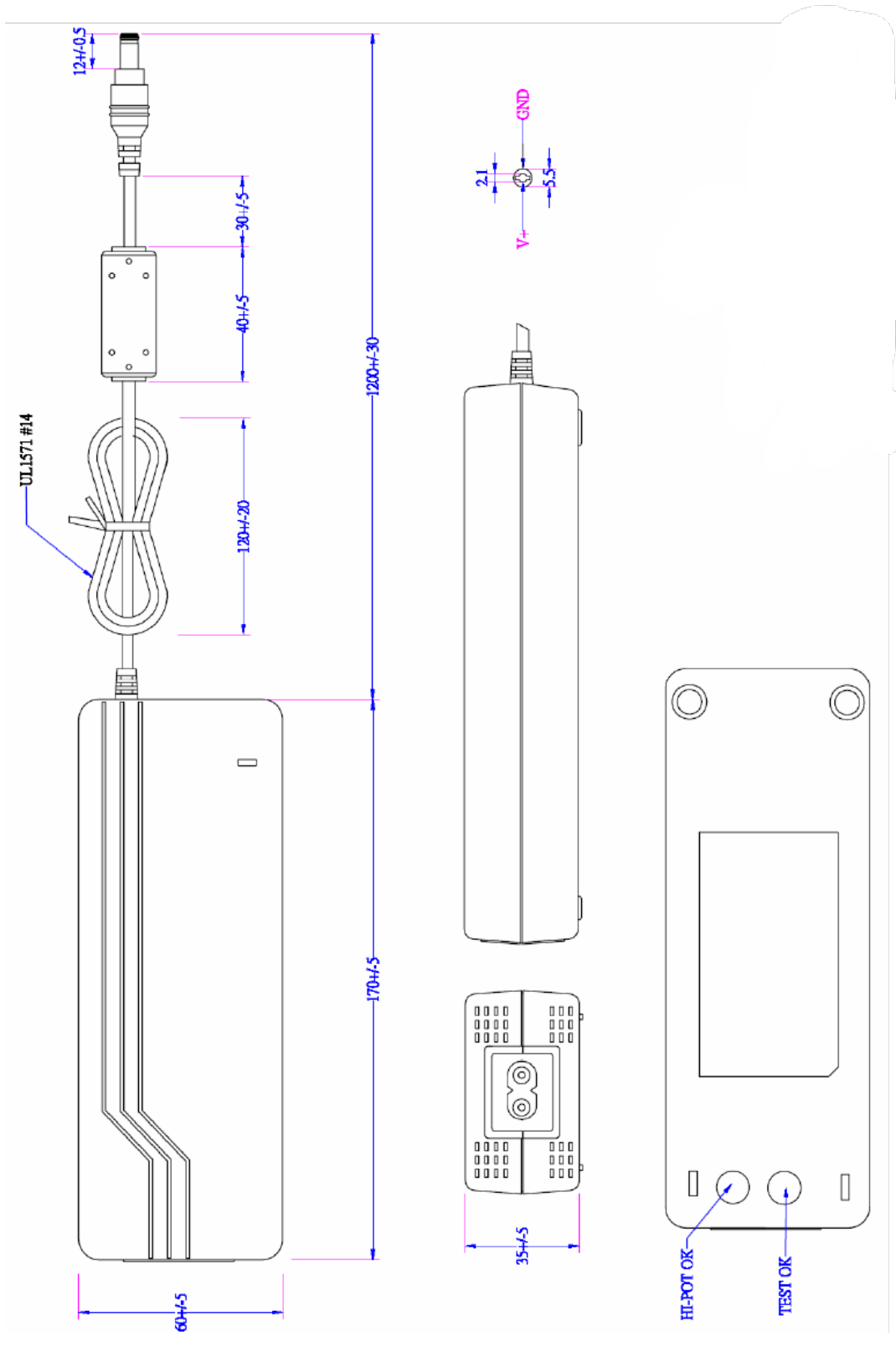
	Safety Standards
Safety Standards	EN 60950-1
Approvals	UKCA, CE, CCC, TUV, cULus, RCM (C-Tick), FCC, RoHS

EMI/EMS Standards

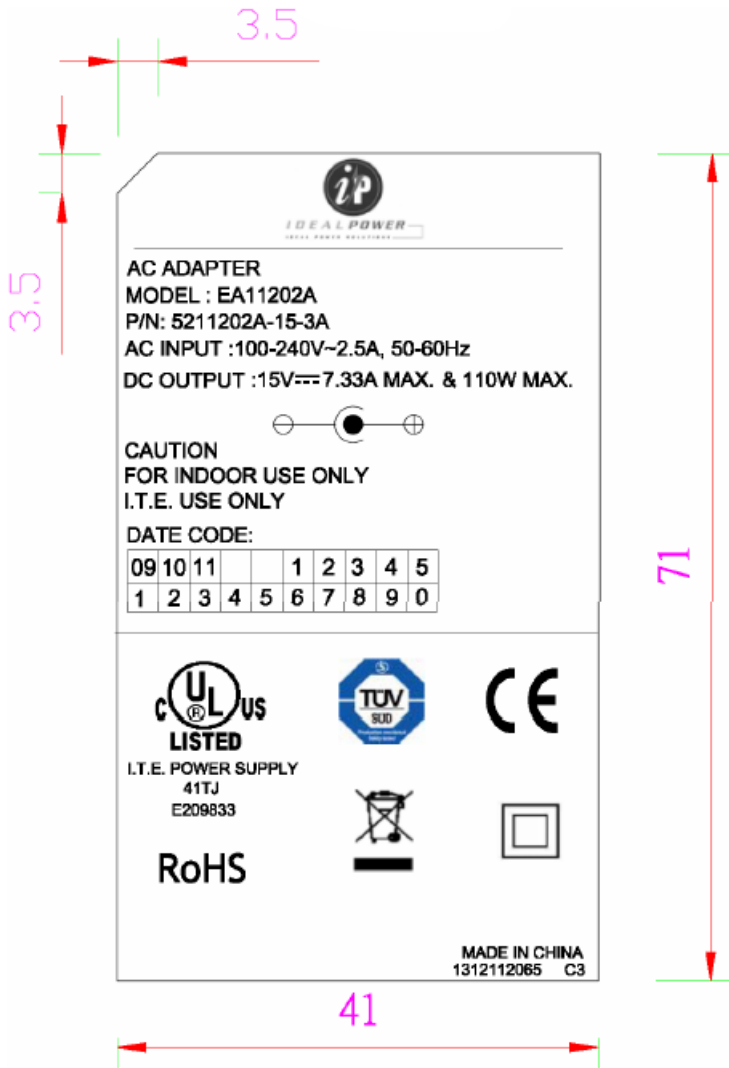
	Test Level	Test Criteria
EMI	EN 55032, CISPR 22, FCC PART 15	Class B
EMS	EN 55024	
ESD	IEC 61000-4-2, Air discharge +/-8KV, Contact discharge +/-4KV	Pass B
RS	IEC 61000-4-3 Frequency: 1KHz, Field strength: 3V/M	
EFT	IEC 61000-4-4, AC-Input 1.0KV AC power ports	Pass A/B
Surge Voltage	IEC 61000-4-5 Differential mode +/-1KV. Common mode +/-2KV	Pass A

Mechanical Drawing

AC – DC



Label



iP
IDEALPOWER

AC ADAPTER
 MODEL : EA11202A
 P/N: 5211202A-15-3A
 AC INPUT :100-240V~2.5A, 50-60Hz
 DC OUTPUT :15V==7.33A MAX. & 110W MAX.

⊖ — ● — ⊕

CAUTION
 FOR INDOOR USE ONLY
 I.T.E. USE ONLY

DATE CODE:

09	10	11			1	2	3	4	5
1	2	3	4	5	6	7	8	9	0

I.T.E. POWER SUPPLY
 41TJ
 E209833

RoHS

MADE IN CHINA
1312112065 C3

EDAC P/N.: 312112065
 Background: Silver color
 Character: Black color
 Unit: mm

AC – DC